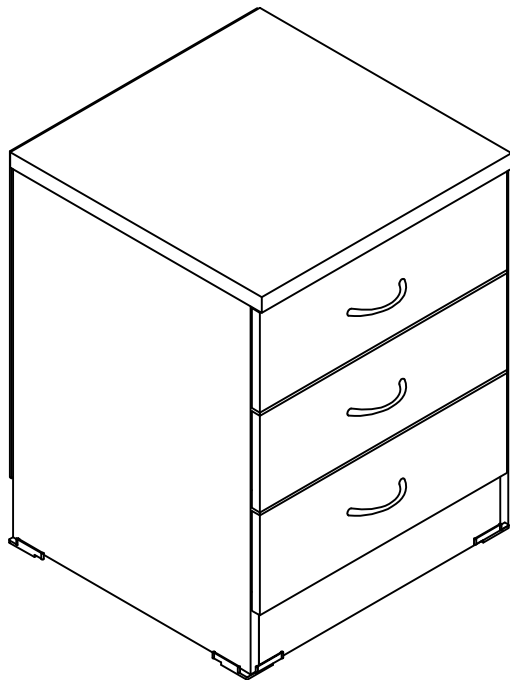


Assembly Instruction Spacesaver 3 Drawer Bedside Chest

Item Code- 49149

BEFORE YOU START...

1. Choose a clean, level, spacious assembly area. Avoid hard surfaces that may damage the product.
2. Check and ensure that you have all required contents for complete assembly.
3. Always read the assembly instructions carefully before beginning assembly.
4. The packaging and contents can be a choking hazard, therefore keep out of reach of small children at all times.
5. Do not over tighten the bolts as this may damage the thread.



RISK OF STRIPPING



To prevent, set torque **to low** when using electric or pneumatic screwdrivers!

PRE-ASSEMBLY PREPARATION

Item Code- 49149

Before you start:

1. Choose a clean, level, spacious assembly area. Avoid hard surfaces that may damage the product.
2. Take care when lifting. Product should be assembled as near as possible to the point of use.
3. Ensure that you have all required contents for complete assembly.
4. Always read the assembly instructions carefully before beginning assembly.
5. Keep all hardware parts and packaging out of reach of small children.
6. Do not over tighten the screws and bolts as this may damage the threads.

WARNING

Serious or fatal injuries may occur from furniture toppling over. To help avoid this please follow the below recommendations:

- Install the provided "Tipping Kit" as per the instructions
- Never allow children to climb on or hang off of any part of this product
- Unless specifically designed to accommodate, do not set TVs or other heavy objects on top of this product

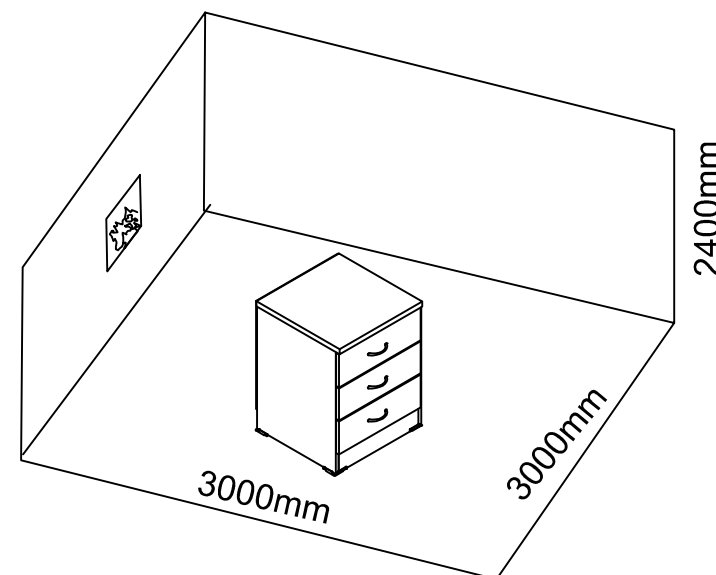
If this product has drawers:

- Place the heaviest items in lowest drawers
- Do not open more than 1 drawer at a time as this may cause the product to become unbalanced
- Do not tamper with or remove any drawer interlocking/running system

Note: The use of the provided "Tipping Kit" may reduce but not necessarily eliminate the risk of furniture toppling over. Please use this product with caution.

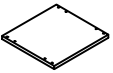

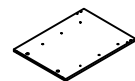
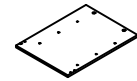




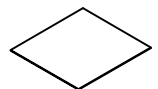

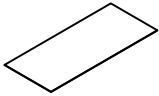

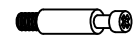
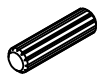



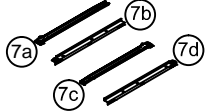
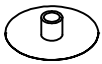



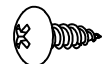



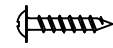
This is a permanent label. Do not attempt to remove!

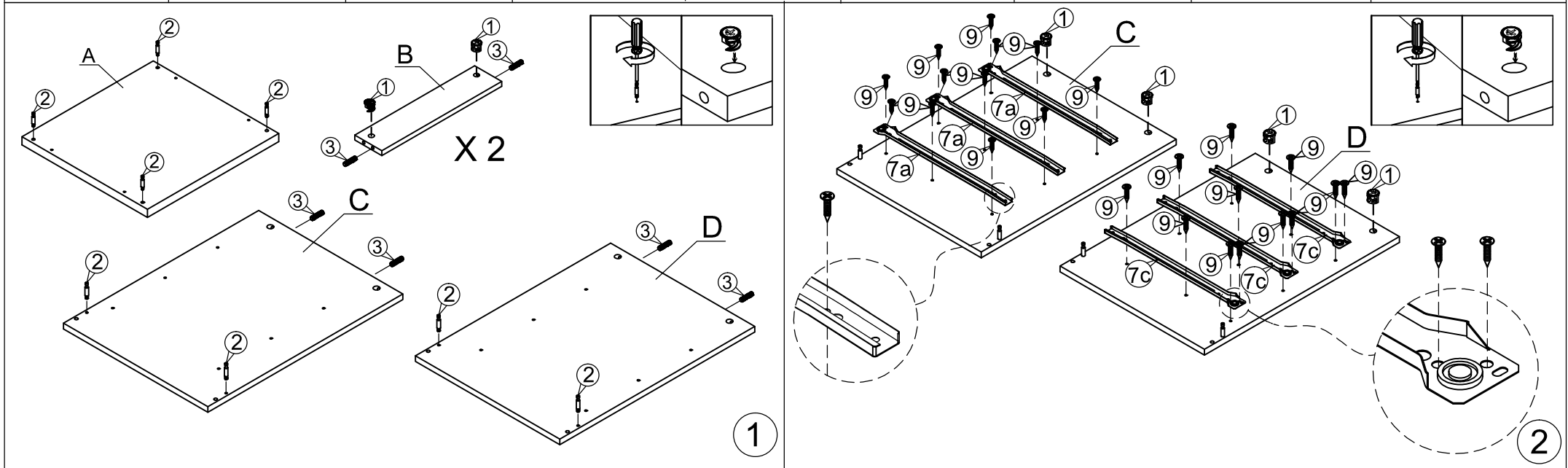
 60min	 1 People Required	 Low speed (Ø6mm)
<div style="display: flex; justify-content: space-around; align-items: center;"> </div> <p style="margin-top: 10px;">ADDITIONAL TOOLS REQUIRED</p>		

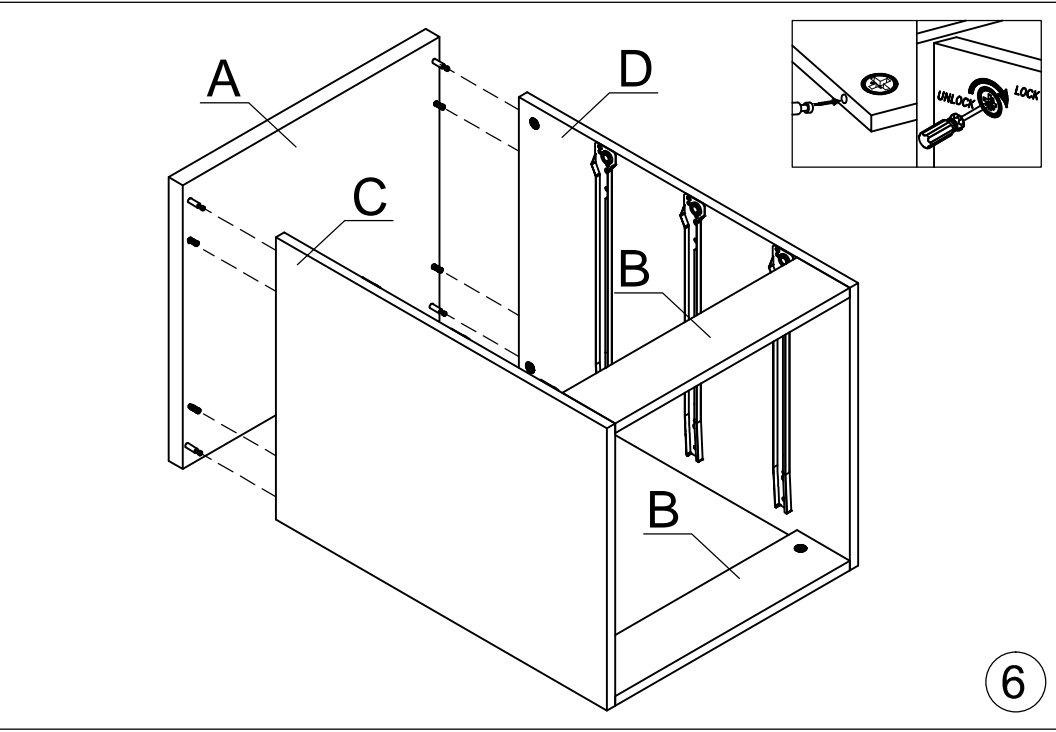
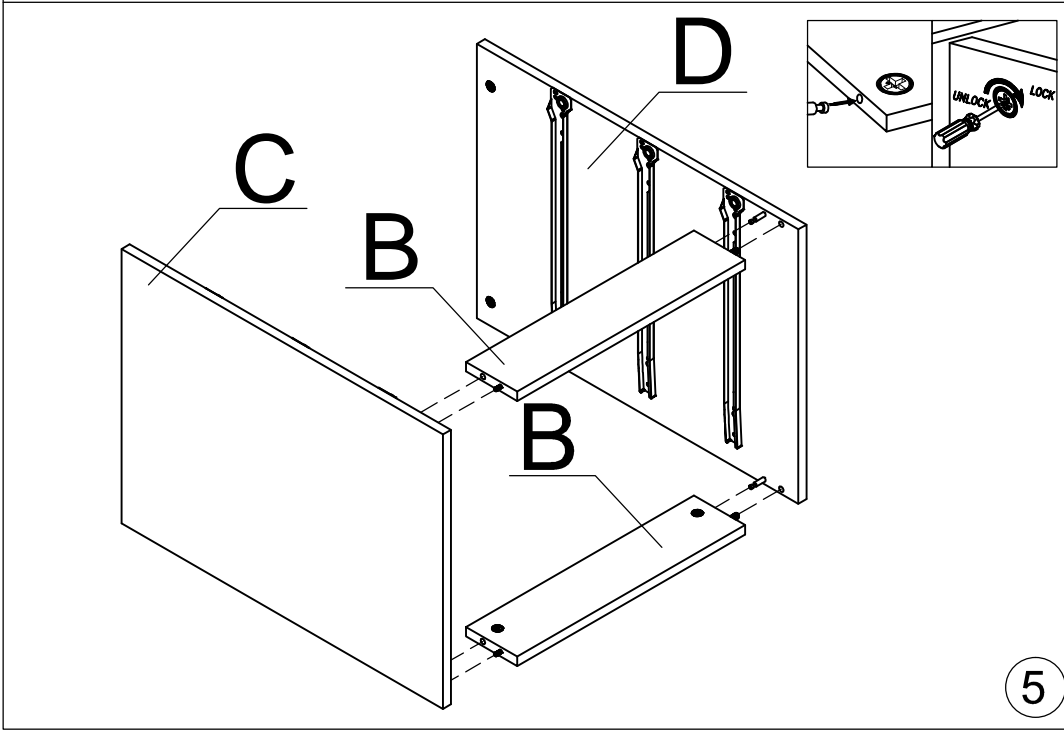
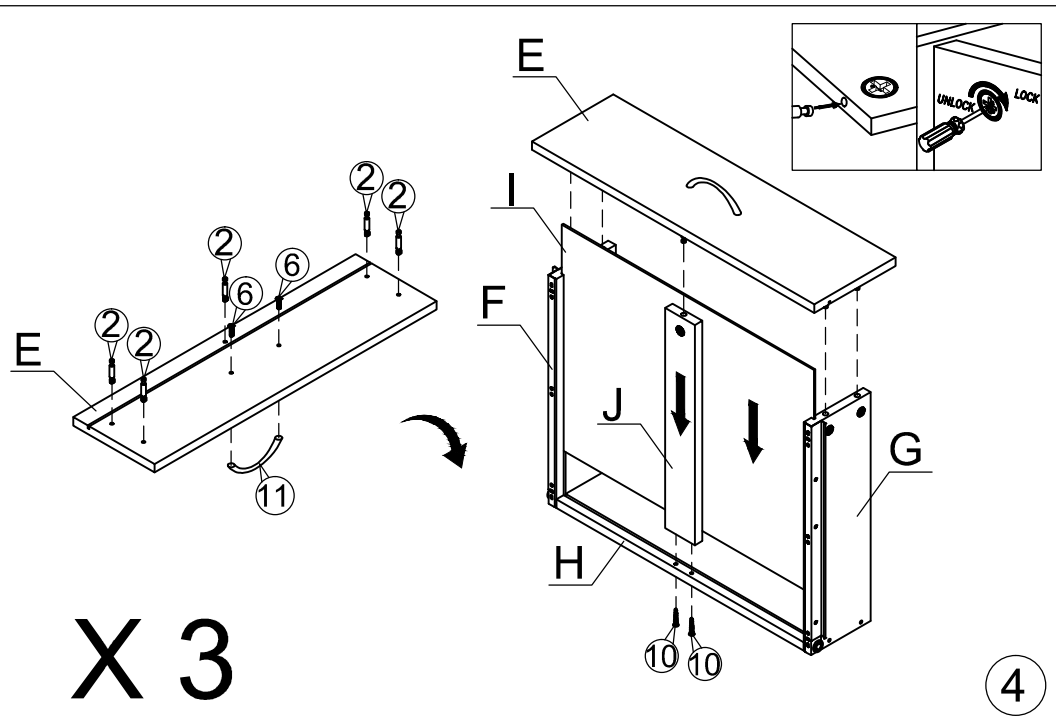
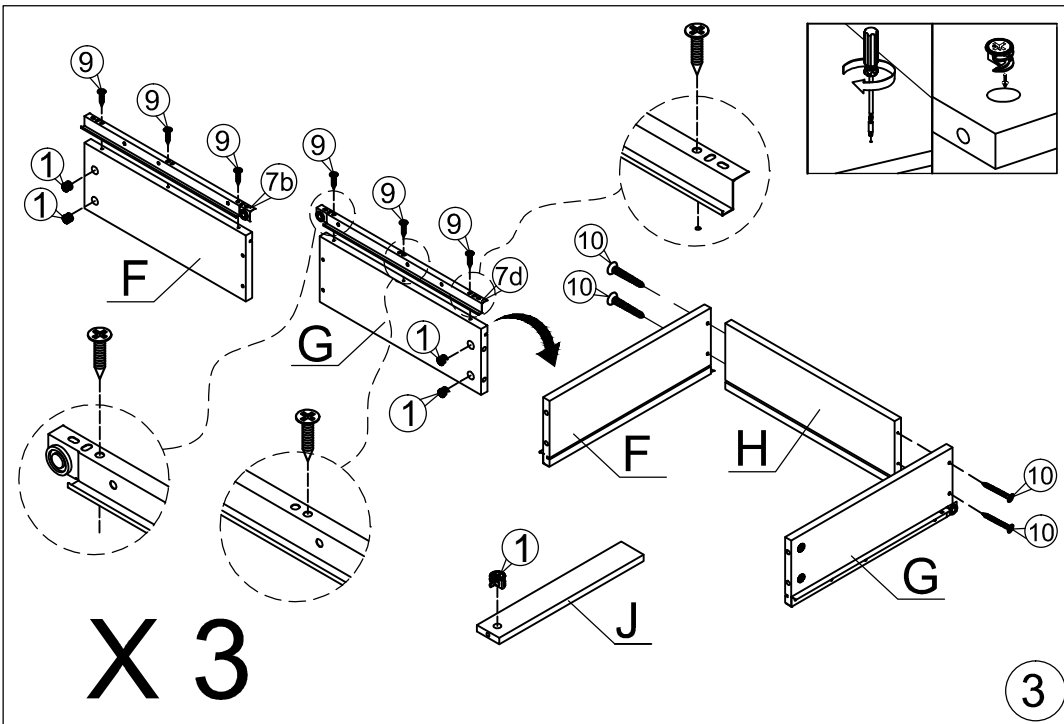


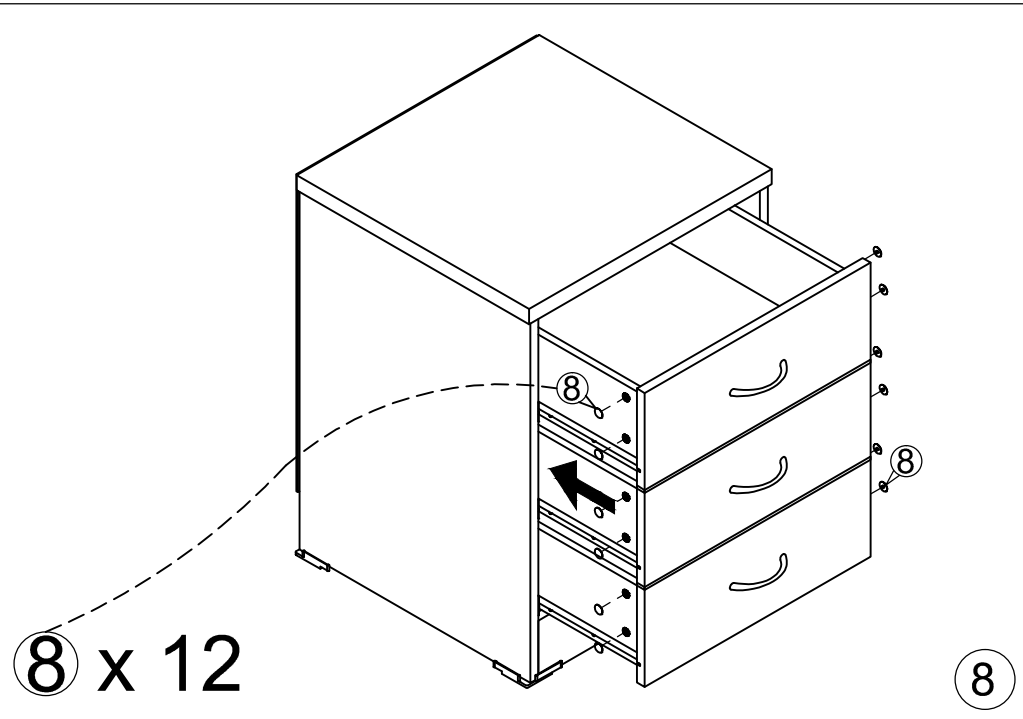
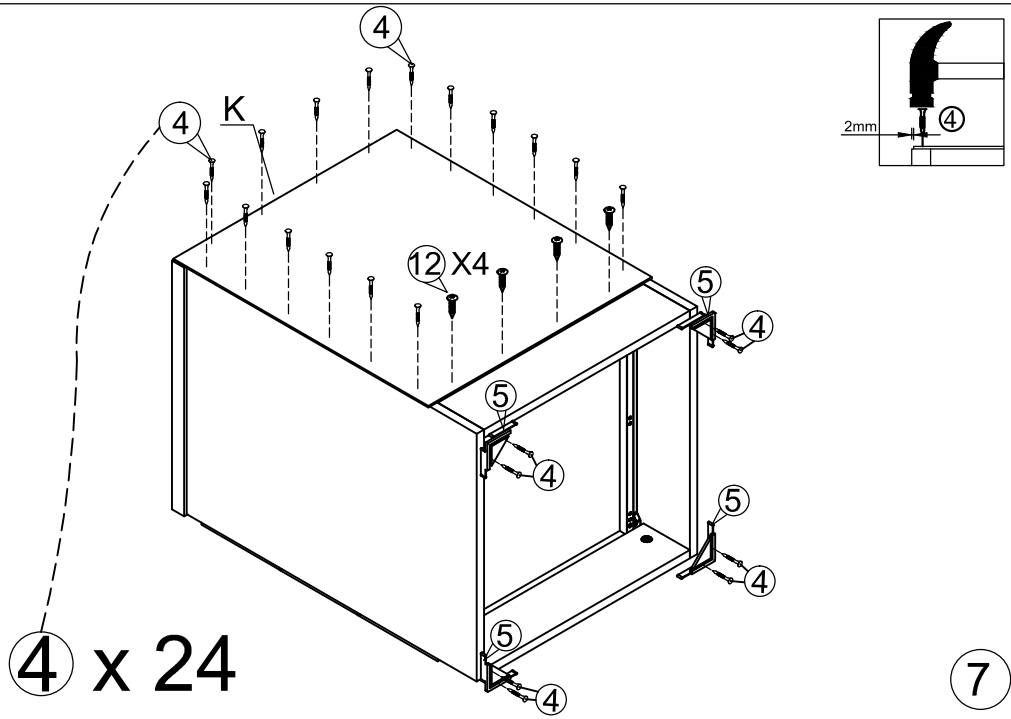
Assembly Instruction Spacesaver 3 Drawer Bedside Chest

Item Code- 49149

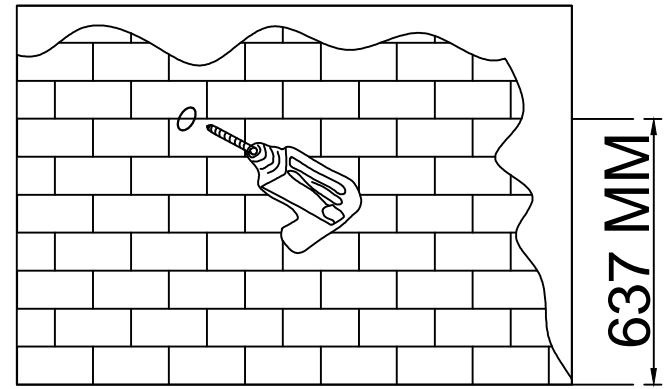
Top Panel	Kick	Left Side Panel	Right Side Panel	Drawer Front Panel	Drawer Left Side Panel	Drawer Right Side Panel	Drawer Back Panel	Drawer Bottom Panel
A	B	C	D	E	F	G	H	I
								
1 PC	2 PCS	1 PC	1 PC	3 PCS	3 PCS	3 PCS	3 PCS	3 PCS
445x 462 x 25mm	422x 90 x 15mm	595 x 417 x 15 mm	595 x 417 x 15 mm	430 x 165 x 15mm	400 x 116x 15mm	400 x 116x 15mm	367 x 116 x 15mm	394 x 376 x 3mm
Drawer Support Panel	Back Panel	Cam Lock	Cam Bolt	Plastic Dowel	Nail	Foot Corner Protector	Screw	Slide
J	K	①	②	③	④	⑤	⑥	⑦
								
3 PCS	1 PC	23 PCS	23 PCS	8 PCS	24 PCS	4 PCS	6 PCS	3 Sets
384 x 60 x 15mm	550 x 448 x 3mm	∅15 x 12 mm	∅6 x 34 mm	∅8 x 30 mm	∅4 x ∅2 x 15 mm	65 x 65 x 13 mm	∅8 x M4 x 18 mm	16"
Plastic Cap	Screw	Screw	Metal Handle	Screw	Wall Bracket	Plastic Screw	Screw	Screw
⑧	⑨	⑩	⑪	⑫	⑬	⑭	⑮	⑯
								
12 PCS	42 PCS	18 PCS	3 PCS	4 PCS	1 PC	1 PC	1 PC	1 PC
∅17.5 x 4 mm	∅3.5 x 14 mm	∅8 x ∅4 x 33 mm	115 x 10 x30 mm	∅9 x ∅3x 14 mm	20 x 40 x 1.2mm	∅9 x ∅6 x 25mm	∅9 x ∅4 x 15mm	∅9 x ∅4 x25mm



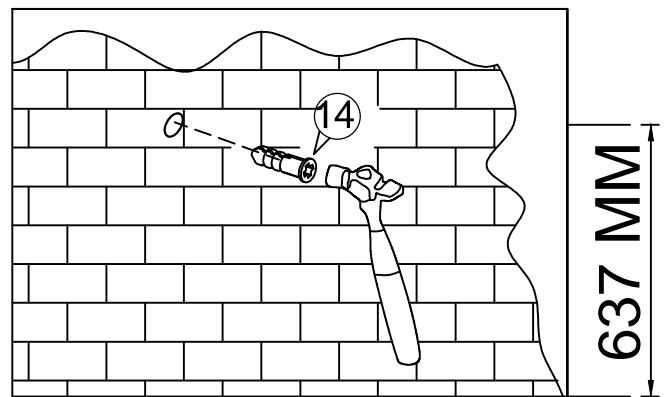




Wall Anchor Assembly Instruction



9



10

Wall Anchor Assembly Instruction

11

NOTE-This product must be fixed to a wall.It is important to ensure the correct wall fixings are used.Failure to do so may result in personal injury or property damage caused by the item toppling over.As wall materials vary greatly,the fastener required to fix this product to a wall is not included.If unsure,consult your local hardware store for advise on wall fixings suitable for your situation.

